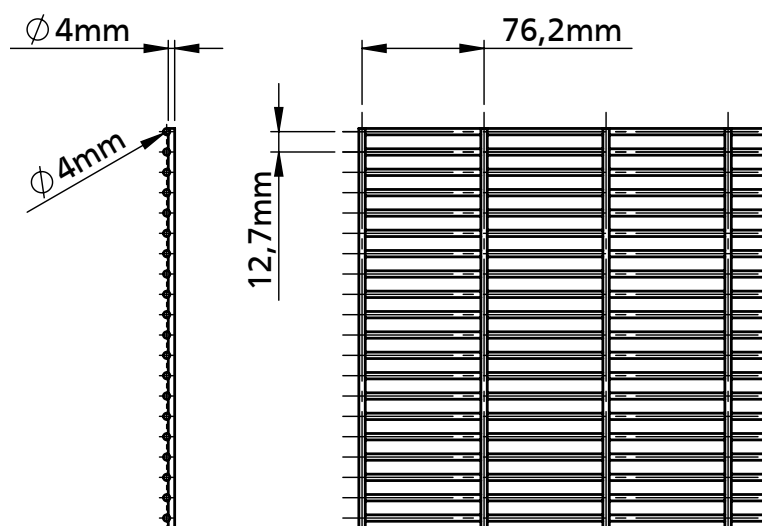


PANELS

SECUFENCE 4/4

MESH SIZE 76,2 X 12,7 MM

DIMENSIONS



SURFACE TREATMENTS

- Galvanised wire with polyester powder coating
- Galfan (zinc/alu) wire + polyester powder coating
- Standard colours: RAL 6005, 6009, 7016 & 9005

WEIGHT TABLE

Height	Pre-galve + coated
2000 mm	41,5 kg
2400 mm	49,6 kg
3000 mm	62,2 kg
3600 mm	74,6 kg
4000 mm	82,7 kg
4700 mm	97,4 kg
5000 mm	103,5 kg
6000 mm	124,2 kg

Other dimensions, mesh sizes and colours available upon request.

APPLICATIONS

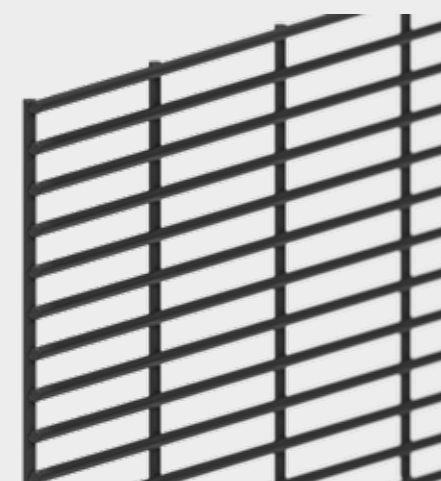
- Schools
- Public places
- Heavy industry
- Prisons
- Infrastructure
- Landmarks

SECURITY LEVEL 7



TECHNICAL SPECIFICATIONS

- Horizontal wires: 1 x $\phi 4\text{ mm}$ (1 x 8 GA)
- Vertical wires: 1 x $\phi 4\text{ mm}$ (1 x 8 GA)
- Width: 2.518 mm (8' 3")
- Height: see weight table
- Mesh size: 76.2 x 12.6 mm (3" x .5")



#alfafence